

# GYPSUM FRAME PROFILE



الشركة الدولية القطرية للتجارة المحدودة  
QATAR INTERNATIONAL TRADING CO. LTD.  
**QITCO**

# GYPSUM FRAME PROFILE

## Dimensional Specifications Data Sheet

### Introduction

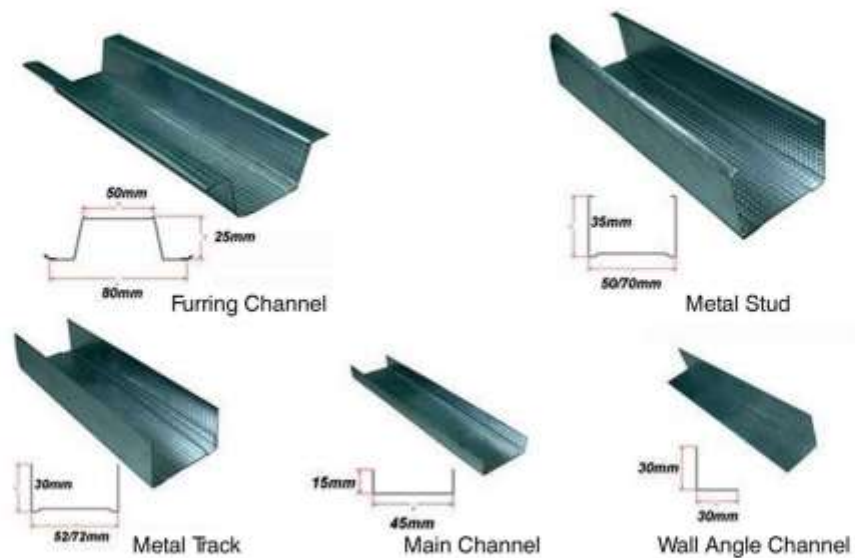
#### INTRODUCTION

This data sheet contains the dimensional specifications of the following components: Metal Studs, Runners, Ceiling Sections and Accessories for which the profiles are cold roll formed. It is a manufacturing process that alters the characteristics of plain steel, providing higher strength capacity at a lighter gauge.

It provides a product range along with an aesthetic difference and additional benefits over plain steel sections:

- Improved yield strength
- Improved load carrying capacity
- Improved screw retention and strip out strength
- Improved resistance to screw pull-out

QITCO provides a complete product range for drywall and ceiling constructions according to relevant standards to service the installers.



# GYPSUM FRAME PROFILE

## Dimensional Specifications Data Sheet

### Metal Profiles Section

### STUD

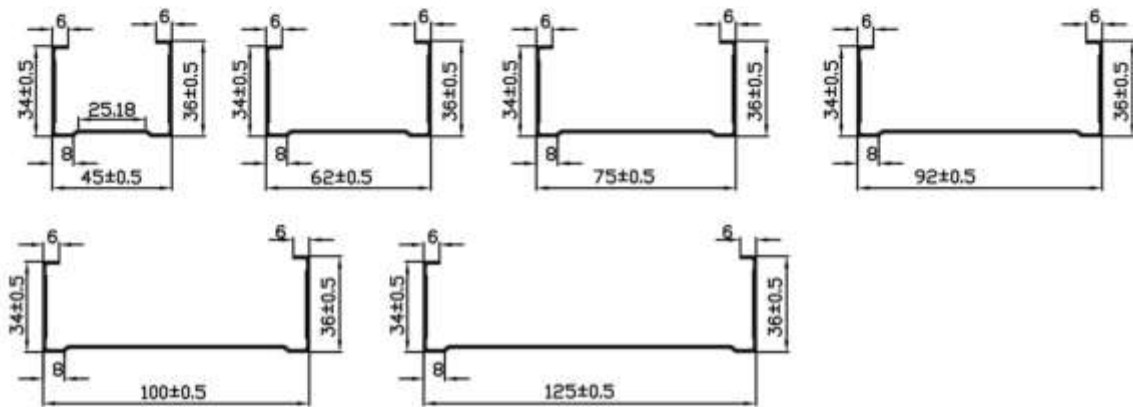
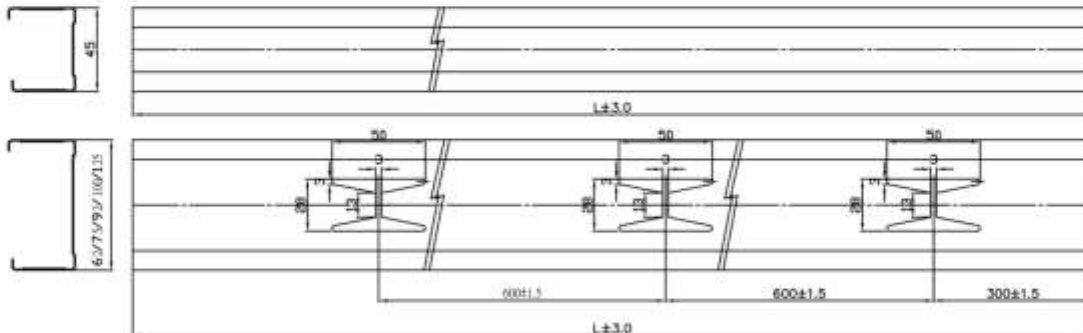
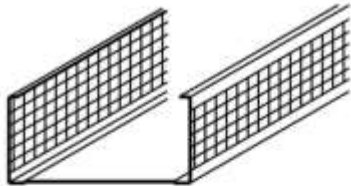


PLATE THICKNESS : 0.4-1.0MM



# GYPSUM FRAME PROFILE

## Dimensional Specifications Data Sheet

### Metal Profiles Section

### TRACK

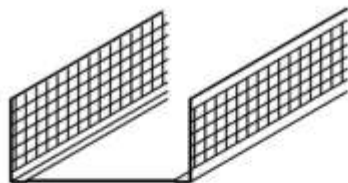
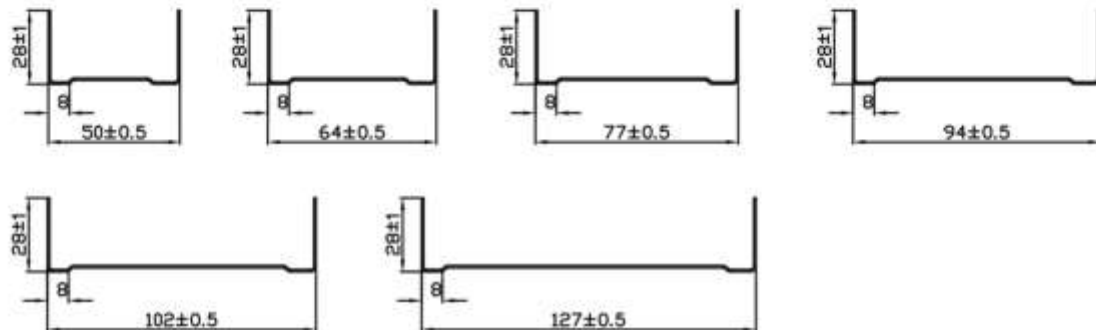
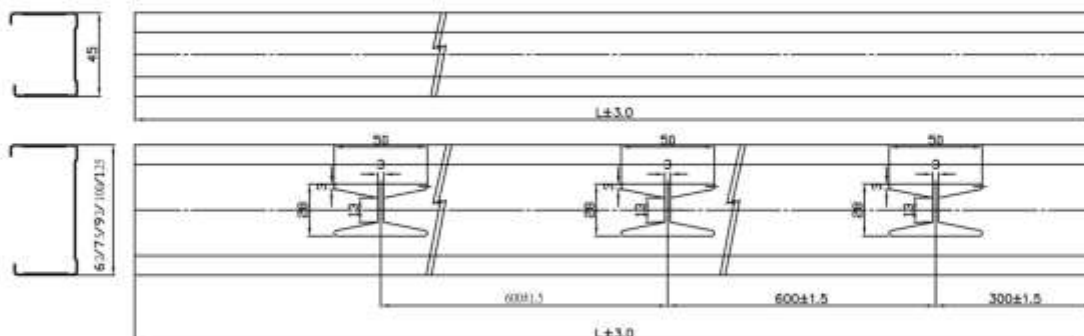


PLATE THICKNESS : 0.4~1.0MM



# GYPSUM FRAME PROFILE

## Dimensional Specifications Data Sheet

### Metal Profiles Section

### CEILING SECTIONS

01

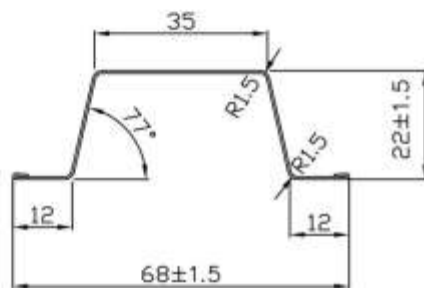
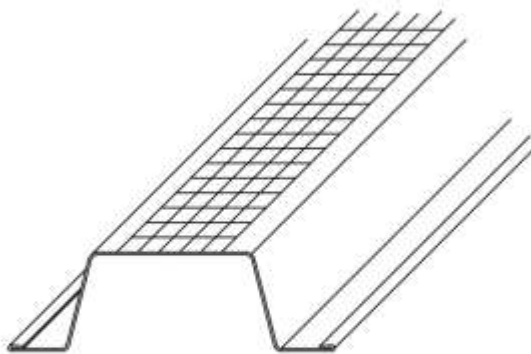


PLATE THICKNESS : 0.5- 0.6MM  
MATERIAL : NORMAL GALVANIZED STEEL



02

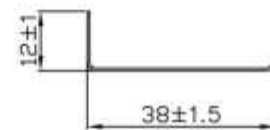


PLATE THICKNESS : 0.5-0.6 MM

03

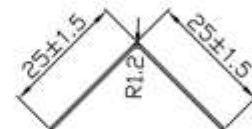


PLATE THICKNESS : 0.5-0.6 MM

Our Metal Profiles are cold roll formed from Hot Dipped Galvanized (HDG) steel, giving them high corrosion resistance, and are available in a very wide variety of sizes and thicknesses, starting from 0.45mm up to 1.00mm thick.

Studs, Trucks, Angles, Furring and Main Channels are produced in 3 meter long pieces, and can also be made to custom lengths, to suit individual site requirements.

We only use LFQ (Lock Form Quality) HDG steel as per ASTM A653 standards from local and regional mills (UNICOIL and Al Ghurair) with a minimum Z90 coating, and we can supply Mill Test Certificates for all our materials, upon request. Furthermore, our steel complies to all regulations regarding Lead content, as opposed to many imported materials.

Our Drywall Partition Profiles and our Ceiling Profiles provide a complete solution to contractors according to relevant industry standards.

AGIS		AL GHURAIR IRON & STEEL L.L.C				WORKS : PLOT NO (11,12) FR6, 13F2 PO BOX - 106065 ICAD, MUSSAFIL ABU DHABI TEL: +971-2-6593400 FAX: +971-2-5500949 E mail: info@agis.ae				DCN : QAD-WI-18/F-02	
MILL TEST CERTIFICATE											
Customer Name		QATAR INTERNATIONAL COMPANY			Destination		DAMMAM-KSA		DP No.		DP/004289
Sales Contract No.		SC:000596/2014			Treatment		Chromated & Uncoiled		L.C. No.		--
Product :		Hot Dipped Galvanized Steel Coils			Spangle Type		Regular		Customer Po No.		
Specification:		ASTM A653	Grade	CS Type A	Skin Passed		No		Certificate No.		AGIS/QA/14/02405
Sr. No.	Lot No.	Dimensions			Sheet (Nos)	Quantity (MT)	Mechanical Properties				
		Thickness (mm)	Width (mm)	Length (mm)			YS (MPa)	TS (MPa)	EL (%)	Hardness (HRB)	Bend Test
Coating Grade - 120 GSM											
1	GL114J13048	0.500	1000	Coil	--	4.320	310	370	28.36	60	OK
2	GL114J13049	0.500	1000	Coil	--	4.300	310	370	28.36	60	OK
3	GL114J13050	0.500	1000	Coil	--	4.315	310	370	28.36	60	OK
4	GL114J13051	0.500	1000	Coil	--	4.460	310	370	28.36	60	OK
5	GL114J14017	0.600	1219	Coil	--	4.145	303	368	27.69	57	OK
6	GL114J14018	0.600	1219	Coil	--	4.600	303	368	27.69	57	OK
7	GL114J14019	0.600	1219	Coil	--	3.980	303	368	27.69	57	OK
8	GL114J14021	0.600	1219	Coil	--	3.850	303	368	27.69	57	OK
9	GS114J19003	0.600	1219	Coil	--	3.990	303	368	27.69	57	OK
10	GL114J23047	0.700	1219	Coil	--	4.090	301	368	29.69	57	OK
11	GL114J23048	0.700	1219	Coil	--	4.090	301	368	29.69	57	OK
12	GL114J23049	0.700	1219	Coil	--	4.075	301	368	29.69	57	OK
13	GL114J23050	0.700	1219	Coil	--	4.075	301	368	29.69	57	OK
14	GL114J23051	0.700	1219	Coil	--	4.005	301	368	29.69	57	OK
15	GL114J17202	0.800	1219	Coil	--	4.115	302	369	29.32	57	OK
16	GL114J17203	0.800	1219	Coil	--	4.850	302	369	29.32	57	OK
17	GL114J17206	0.800	1219	Coil	--	3.965	302	369	29.32	57	OK
18	GL114J17207	0.800	1219	Coil	--	3.965	302	369	29.32	57	OK
19	GL114J17208	0.800	1219	Coil	--	3.950	302	369	29.32	57	OK
20	GL114J18001	0.800	1219	Coil	--	3.840	298	369	28.90	53	OK
21	GL114J18002	0.800	1219	Coil	--	3.855	298	369	28.90	53	OK

# GYPSUM FRAME PROFILE

Dimensional Specifications Data Sheet

## Metal Profiles Section

### CEILING ACCESSORIES



Wire clip



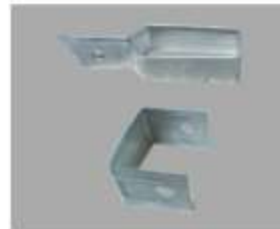
Wire clip



Hanger



Hook



Channel Bracket



Thread rod



Thread rod



Adjustable Clip



Rockwool Insulation



Corner Tape



Joint Tape



Fiber Glass Insulation



الشركة الدولية القطرية للتجارة المحدودة  
QATAR INTERNATIONAL TRADING CO. LTD.  
**QITCO**



Al Hassan Al Basri Street  
Al Khalidiyah, Khobar-Dammam Highway  
P.O. Box 2632 Al-Khobar 31952  
Tel. No. : +966-13-8451612  
Fax. No.: +966-13-8451613  
[www.qatarinternational.com.sa](http://www.qatarinternational.com.sa)